



ENVASES SANZ BELDA, S.L.

Tel.: 34 96 236 02 32 - calidad@envasesanzbelda.es - www.envasesanzbelda.es
Pol. Ind. San José. Avda, Valencia, parc. 7 - Apdo. de Correos 46 - 46812 Aielo de Malferit. Valencia. (España)



Technical comercial data

N-55 T.N-55

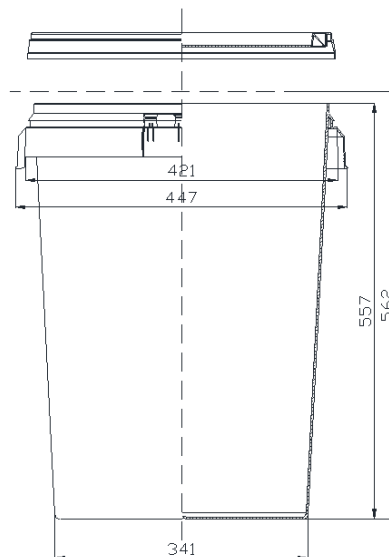
Serie NOVA – Versión 07-06-2023

TECHNICAL DATA:

Material:	PP copolymer of first quality, suitable for contact with food according to current regulations.
Colours:	White standard. Consult for other colours.
Useful Volume:	55 litres
Volume to the edge:	59 litres
Weight of the drum:	1770 g. approx.
Weight of the lid:	390 g. approx.
Total Weight:	2160 g. approx.
Decorative surface:	380 x 1145 mm (height x perimeter)
Design surface photographic finish:	290 x 1150 mm (height x perimeter)



MEASUREMENTS:



Measurements in millimetres

GROUPING OF TRANSPORT:

Drums:	120 drums per pallet
Pallet dimensions:	1264 x 843 x 1800 (see drawing)
Lids:	40 lids per bag, this serves as a packaging of transportation
Bag dimension:	Ø 415 x 950

